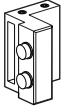
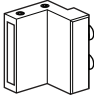

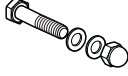



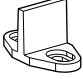
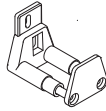

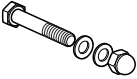


BD100K-07800 / BD100K-09600 INSTALLATION GUIDE

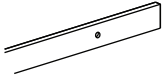
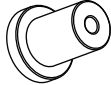


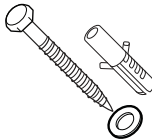
BARN DOOR HARDWARE STRAIGHT STRAP KIT



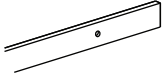
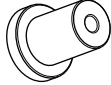


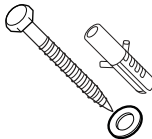
Common Components

<p>x1 Right Stopper</p>  <p>BD850-BR/MB/SS (RIGHT)</p>	<p>x1 Left Stopper</p>  <p>BD850-BR/MB/SS (LEFT)</p>	<p>x2 Straight Strap</p>  <p>BD550-BR/MB/SS</p>	<p>x2 Standard 1 3/8" Thick Door Strap Bolts</p>  <p>BD130-MB/SS</p>	<p>x2 Anti-jump Block</p>  <p>BD790</p>	<p>x2 #8 (4.2mm x 25mm) Floor Screws</p>  <p>BD131</p>	<p>x2 1/4 (6mm) Floor Anchor</p>  <p>BD132</p>
<p>x1 Internal Floor-Mounted Door Guide</p>  <p>BD750</p>	<p>x1 Optional Wall-Mounted Door Guide</p>  <p>99161 (WALL)</p>	<p>x2 Optional Floor-Mounted Door Guide</p>  <p>99161 (FLOOR)</p>	<p>x2 Optional 1 3/4" Thick Door Strap Bolts</p>  <p>BD133-MB/SS</p>	<p>IMPORTANT: BEFORE YOU BEGIN</p> <p>WHEN INSTALLING DIRECTLY INTO A NON-CONCRETE WALL, DO NOT ATTEMPT TO INSTALL THE TRACK SOLELY TO THE DRYWALL OR ANY WALL SURFACE AS THIS MAY NOT SUPPORT THE WEIGHT OF THE TRACK AND MOUNTED DOOR.</p> <p>THE TRACK MUST BE INSTALLED ONTO A PIECE OF SOLID WOOD BLOCKING (SOLD SEPARATELY) USING MOUNTING SCREWS (ALSO SOLD SEPARATELY).</p> <p>ENSURE THE SOLID WOOD BLOCKING IS SECURED INTO THE STRUCTURAL SURFACE. USE A STUD FINDER WHERE NECESSARY TO LOCATE STUDS AND SECURE SAFELY.</p> <p>TYPICAL SOLID WOOD BLOCKING SHOULD BE 81" (L) X 5 1/2" (H) X 7/8" (D) FOR 78 1/4" LENGTH TRACK OR 97" (L) X 5 1/2" (H) X 7/8" (D) FOR 96" LENGTH TRACK.</p> <p>NOTE, STANDARD STRAP BOLTS ARE PROVIDED FOR 1 3/8" THICK DOORS AND OPTIONAL LONGER BOLTS ARE PROVIDED FOR 1 3/4" THICK DOORS.</p> <p>IF INSTALLING WITH THE INTERNAL FLOOR-MOUNTED DOOR GUIDE, THE DOOR MUST BE MORTISED (DADO) 1/4" WIDE X 3/4" DEEP CENTRALLY.</p> <p>AN OPTIONAL WALL-MOUNTED DOOR GUIDE AND OPTIONAL FLOOR MOUNTED DOOR GUIDES HAVE ALSO BEEN PROVIDED FOR NON-MORTISED DOOR INSTALLATION.</p> <p>ADDITIONAL KIT AND DOOR ACCESSORIES ARE AVAILABLE VIA THE ACME WEBSITE. ACCESSORIES SOLD ELSEWHERE MAY INTERFERE WITH THE FUNCTION OF THIS KIT AND OPERATION OF YOUR DOOR.</p>		

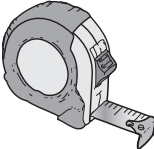

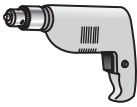


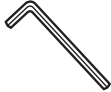
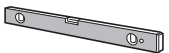
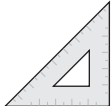
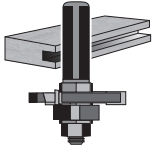
78 3/4" Track Components

<p>x1 78 3/4" Track (5 holes)</p>  <p>BD5000-07800-BR/MB/SS</p>	<p>x5 Wall Spacer</p>  <p>BD350-BR/MB/SS</p>	<p>x5 5/16 (8mm x 60mm) Carriage Bolt</p>  <p>BD134-MB/SS</p>	<p>x5 5/16 (8mm x 25mm) Anchor (Pre-mounted to Carriage Bolt)</p>  <p>BD136-MB/SS</p>	<p>x5 5/16 (8mm x 90mm) Drywall Screw</p>  <p>BD136-MB/SS</p>
--------------------------------------------------------------------------------------------------------------------------------------------------	--------------------------------------------------------------------------------------------------------------------------------	-------------------------------------------------------------------------------------------------------------------------------------------------	-------------------------------------------------------------------------------------------------------------------------------------------------------------------------	--------------------------------------------------------------------------------------------------------------------------------------------------

96" Track Components

<p>x1 96" Track (6 holes)</p>  <p>BD5000-09600-BR/MB/SS</p>	<p>x6 Wall Spacer</p>  <p>BD350-BR/MB/SS</p>	<p>x6 5/16 (8mm x 60mm) Carriage Bolt</p>  <p>BD134-MB/SS</p>	<p>x6 5/16 (8mm x 25mm) Anchor (Pre-mounted to Carriage Bolt)</p>  <p>BD136-MB/SS</p>	<p>x6 5/16 (8mm x 90mm) Drywall Screw</p>  <p>BD136-MB/SS</p>
-----------------------------------------------------------------------------------------------------------------------------------------------	---------------------------------------------------------------------------------------------------------------------------------	--------------------------------------------------------------------------------------------------------------------------------------------------	--------------------------------------------------------------------------------------------------------------------------------------------------------------------------	---------------------------------------------------------------------------------------------------------------------------------------------------

Tools Required

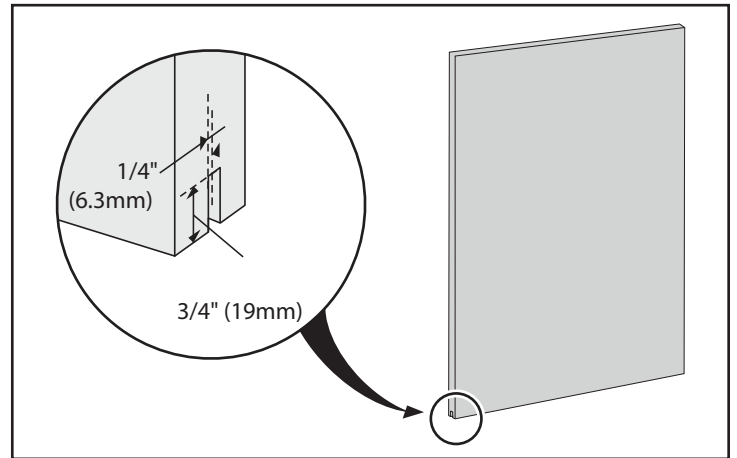
<p>Tape Measure</p> 	<p>Pencil</p> 	<p>Cordless Drill</p> 	<p>Phillips Screwdriver</p> 	<p>Wrench</p> 	<p>Allen Key</p> 	<p>Level</p> 
<p>Speed Square</p> 	<p>1/4" Mortise Router Head</p>  <p>Required for Floor-Mounted Door Guide Installation</p>	<p>Renin™ renincorp.com acmesystemsandhardware.com</p>				

Step 1. Door Preparation

Note, optional wall- and floor-mounted door guides have also been provided in this kit should you not wish to mortise your door.

Mortise 1/4" wide x 3/4" deep groove centrally to the bottom of the door for use with the floor-mounted door guide. This will ensure smoothness of door travel side-to-side and will prevent the door from swinging in and out.

If you prefer, you can also have your door mortised at the store you have purchased your door (typically, for an additional charge). See your store for details.



Step 2. Door Preparation – Strap Installation

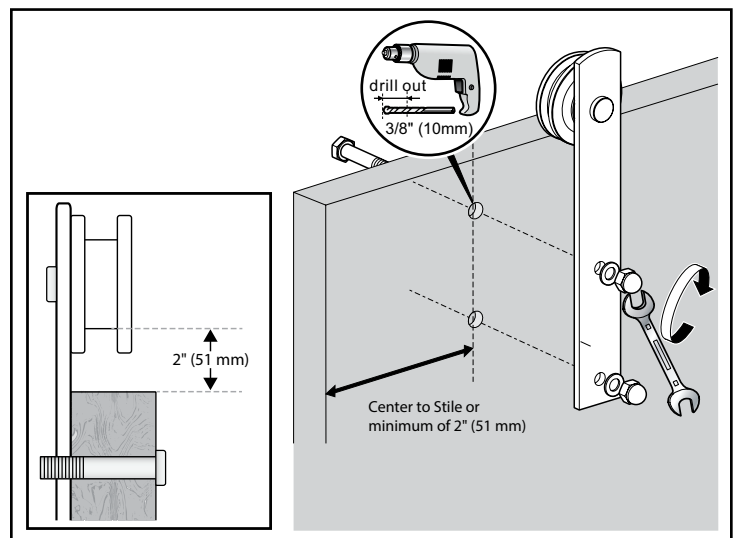
Position each strap to the front of the door centre to the stile or a minimum of 2" from the edge of the door.

Measure or cut a piece of cardboard 2" high and place between the wheel (inner groove) and the top of the door to correctly position the height of the straps.

Mark the top hole with a pencil and pre-drill 3/8" holes, then secure into place. Mark the bottom hole with the strap in place to ensure the strap is secure. Repeat for second strap.

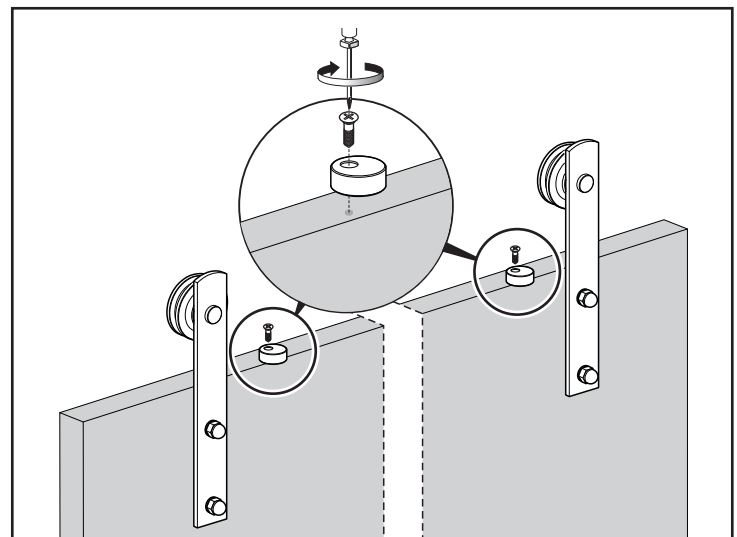
IMPORTANT: For 1 3/8" Doors, please use the shorter standard bolts provided.

For 1 3/4" Doors, please use the longer additional bolts provided.



Step 3. Door Preparation - Anti-jump block Installation

Position each anti-jump block at least 1" from the edge of the Straps. Tighten slightly to secure in place.



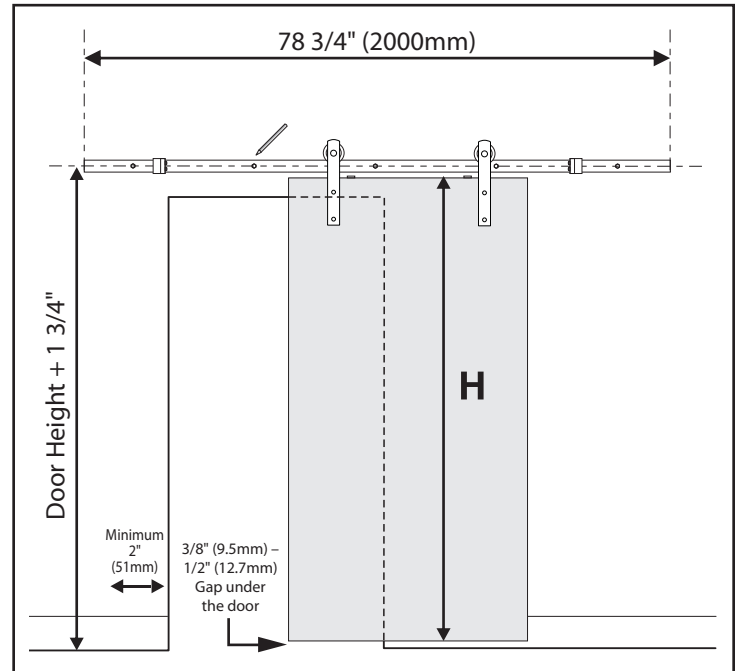
Step 4. CONCRETE Wall Preparation

IF INSTALLING INTO DRYWALL – PLEASE PROCEED TO STEP 7.

Position the track by measuring up from the door height (H) + 1 3/4" to the centre of the track. This ensures a gap of 3/8" - 1/2" at the bottom. Ensure the track is level and leave a minimum of 2" from the end of the track to the side of the opening (as shown).

If installing with an opening for 80" standard door size, remove the top trim and cut the side trim horizontally along the height of the opening.

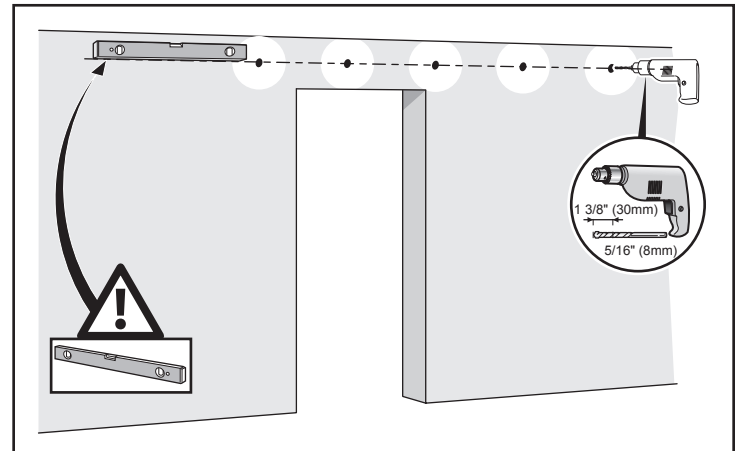
NOTE: The 96" track features an additional hole for wider door opening sizes.



Step 5. CONCRETE Wall Preparation

Position the track in place ensuring that it is level, mark the holes on the track using a pencil and pre-drill 5/16" holes into the concrete.

NOTE: The 96" track requires an additional 6th hole to be drilled.

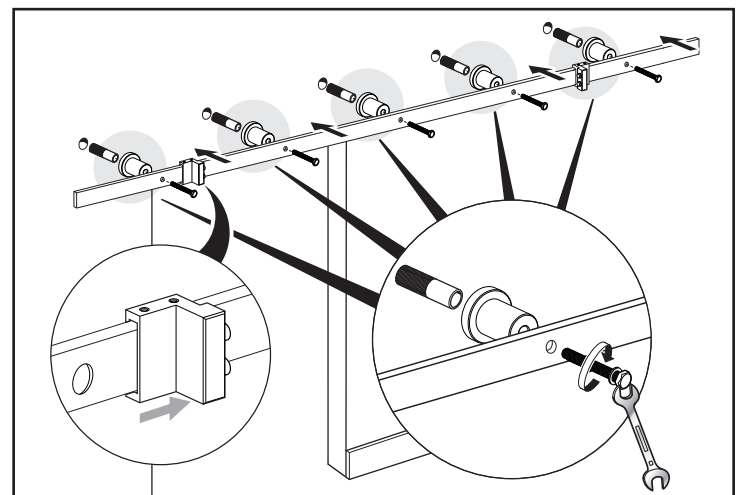


Step 6. CONCRETE Track Installation

When installing directly into concrete, insert using the provided anchors and carriage bolts (with washers). Ensure to un-screw to separate the carriage bolt and anchor to install correctly, securing with a wrench.

Ensure to insert both stoppers either side of the track inside the first hole dependant on the width of your door.

NOTE: The 96" track features an additional hole for additional wall spacer and carriage bolt for concrete installation.



Step 7. DRYWALL Wall Preparation

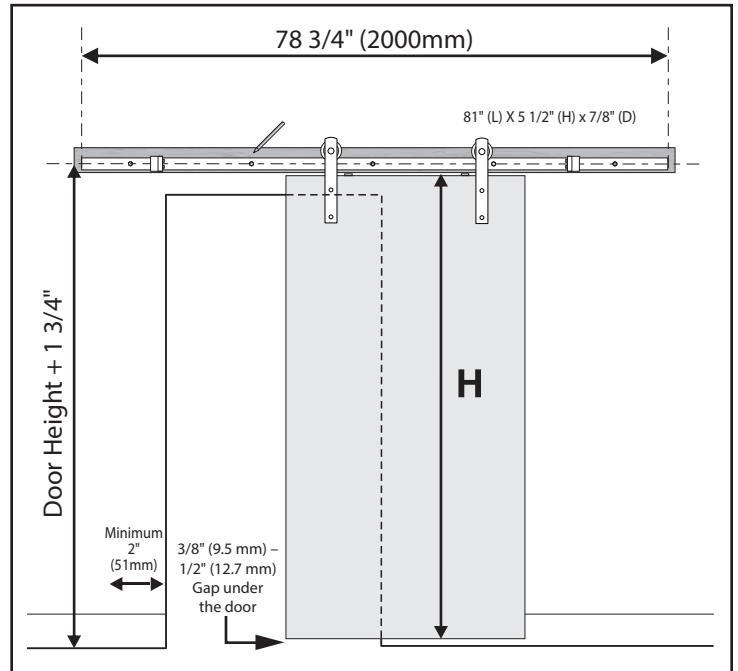
When installing into drywall, a piece of 81" x 5 1/2" x 7/8" solid wood blocking is required to be mounted to the wall before proceeding with the track installation.

Position the solid wood blocking with track by measuring up from the door height (H) + 1 3/4" to the centre of the track. This ensures a gap of 3/8" - 1/2" at the bottom. Lastly, ensure the solid wood blocking is level and leave a minimum of 2" from the end of the blocking to the side of the opening (as shown).

If installing with an opening for 80" standard door size, remove the top trim and cut the side trim horizontally along the height of the opening.

Paint or stain the wood blocking to your desired finish.

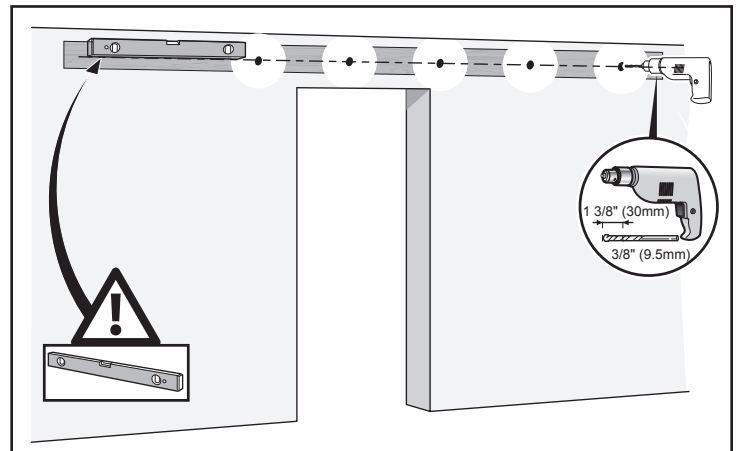
NOTE: The 96" track features an additional hole for wider door opening sizes. A 97" length piece of solid wood blocking is required.



Step 8. DRYWALL Wall Preparation

Position the track on top of the wood blocking ensuring levelness, mark the holes using a pencil and pre-drill 3/8" holes into the wood blocking and drywall.

NOTE: The 96" track requires an additional 6th hole to be drilled.

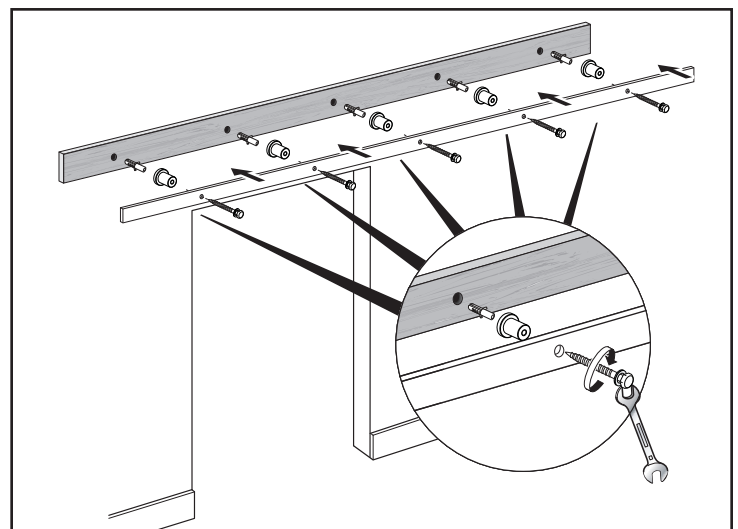


Step 9. DRYWALL Track Installation

When installing the hardware into the solid wood block and wall, insert using the provided wall screws and anchors. Ensure Anchors are securely inserted in each hole. Align each spacer to the track holes, inserting spacers and screws (with washers), securing with a wrench.

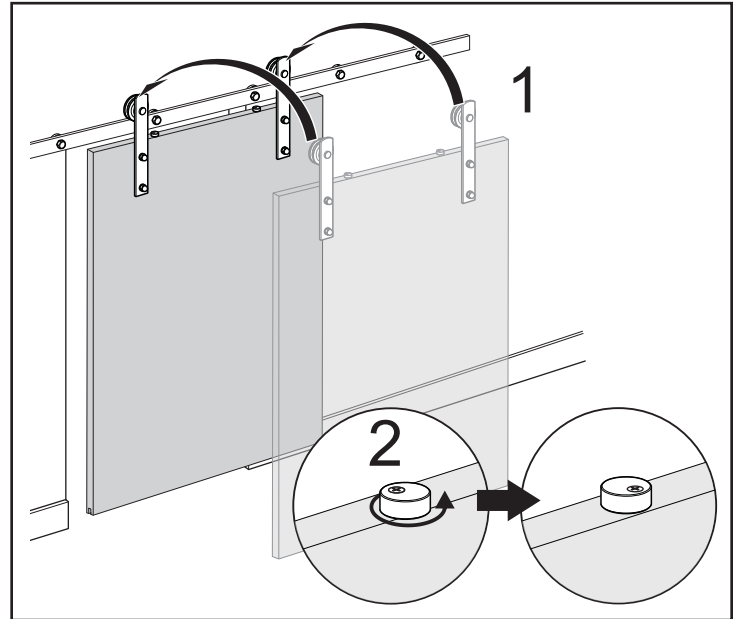
Ensure to insert both stoppers either side of the track inside the first hole dependant on the width of your door.

NOTE: The 96" track features an additional hole for additional wall spacer and wall screw for drywall installation.



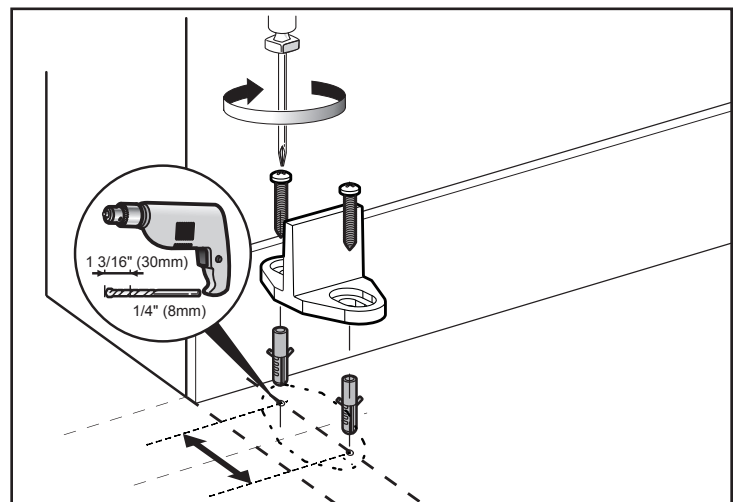
Step 10. Hanging the Door

Place the assembled door onto the secured track and tighten each anti-jump block. Ensure all parts are operating correctly by sliding the door side-to-side.



Step 11. Floor-Mounted Door Guide Installation

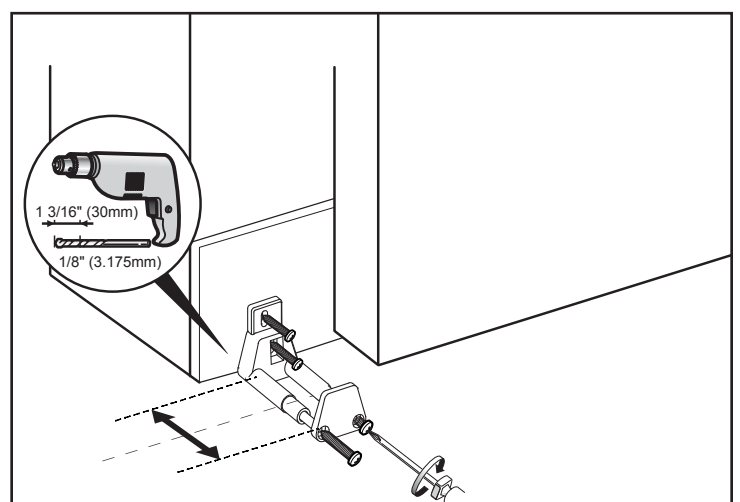
Once the door is plumb, position the floor-mounted door guide inside the mortised door, line up close to the opening. Slide the door side-to-side to ensure functionality for final placement then mark holes with a pencil and pre-drill 1/4" holes. If drilling directly into a concrete floor, use the provided anchors.



Step 12. OPTIONAL Wall-Mounted Door Guide Installation

Line up close to the opening, position and secure the wall-mounted door guide directly into the wall or trim, extending the guide as necessary to allow the door to travel side-to-side. Tighten to secure in place.

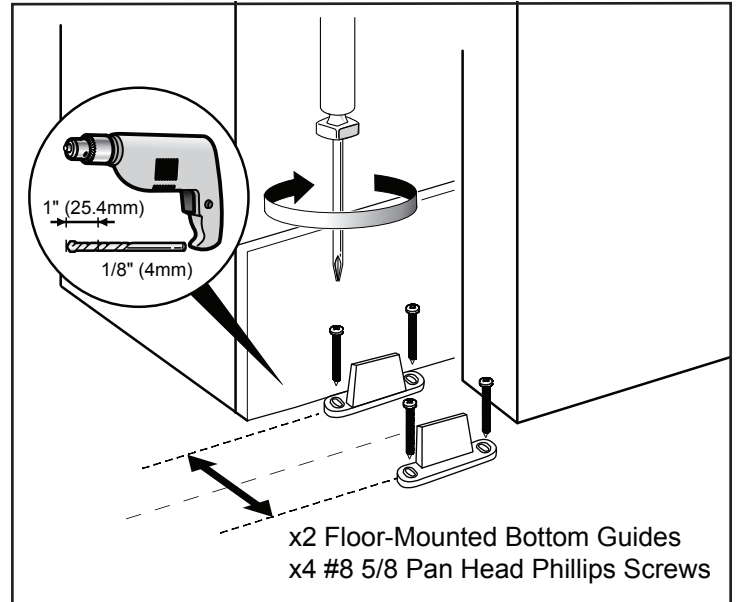
NOTE: Adjust correctly for 1 3/8" or 1 3/4" thick doors for smooth opening and closing operation.



Step 13. OPTIONAL Floor-Mounted Door Guides Installation

Line up close to the opening, position both the floor-mounted door guides to allow the door to travel side-to-side on both sides of the door. Screw into place directly into the floor.

NOTE: Measure correctly for 1 3/8" or 1 3/4" thick doors for smooth opening and closing operation.



Step 14. Stopper Installation

Slide the door closed and to correct position of both stoppers. Using the provided Allen key, tighten into position to complete the installation of the Barn Door Kit.

